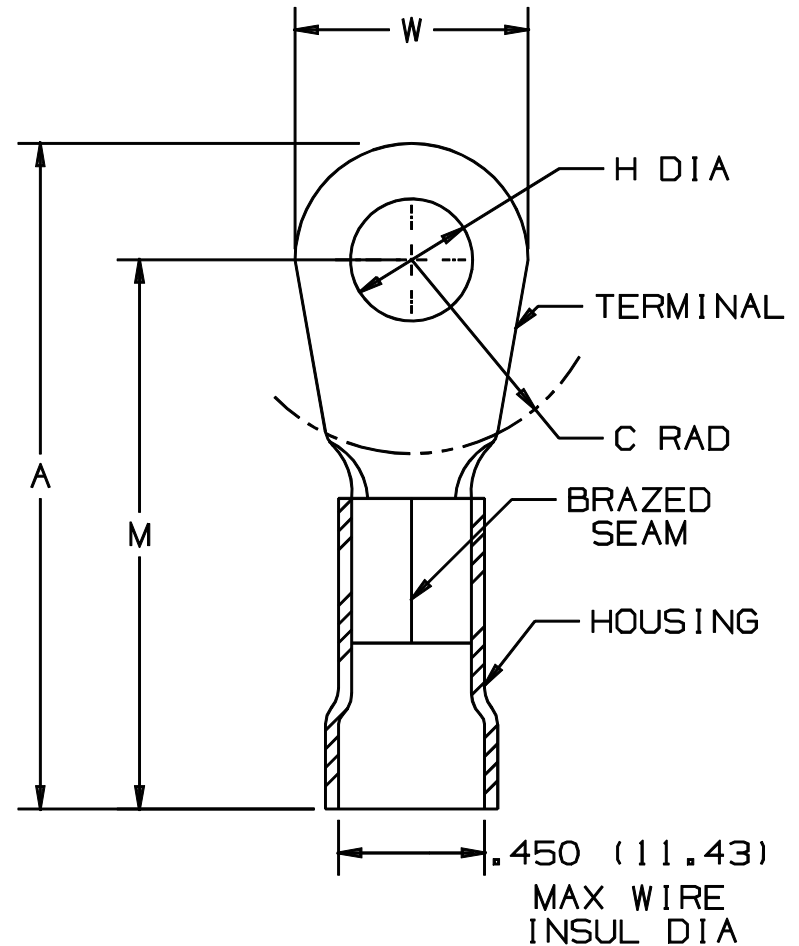


THIS COPY IS PROVIDED ON A RESTRICTED BASIS AND IS NOT TO BE USED IN ANY WAY DETRIMENTAL TO THE INTERESTS OF PANDUIT CORP.

PANDUIT PART NUMBER	STUD SIZE	DIMENSIONS in.				
		A $\pm .03$	W $\pm .01$	C $\pm .02$	M $\pm .03$	H $\pm .01$
PV4-10R	#10	1.88 (47.75)	.55 (13.97)	.50 (12.7)	1.61 (40.89)	.20 (5.08)
PV4-14R	1/4"	1.88 (47.75)	.55 (13.97)	.50 (12.7)	1.61 (40.89)	.27 (6.86)
PV4-56R	5/16"	1.95 (49.53)	.68 (17.27)	.50 (12.7)	1.61 (40.89)	.33 (8.38)
PV4-38R	3/8"	1.95 (49.53)	.68 (17.27)	.50 (12.7)	1.61 (40.89)	.39 (9.91)
PV4-12R	1/2"	2.04 (51.82)	.86 (21.84)	.50 (12.7)	1.61 (40.89)	.52 (13.21)



NOTES:

- UL LISTED FOR:
 - 600V MAX VOLTAGE RATING
 - 221° F (105° C) MAX TEMP RATING
 - #4 AWG STRANDED COPPER WIRE
- PACKAGE QTY: STD. PKG. -E=20
BULK PKG. -T=200
- MATERIAL:
 - STAMPING - .050" (1.27) THK COPPER, TIN PLATED
 - HOUSING - VINYL, YELLOW
- DIMENSIONS IN BRACKETS ARE IN MILLIMETERS
- INSTALLATION TOOL: CT-720
- WIRE STRIP LENGTH: 1/2 $\pm 1/32$ (12.7 $\pm .8$)



A41217_04

04	1/01	KMD		CAD FILE SPEC. WAS N41217AA_PCD_03				<p>TINLEY PARK, ILLINOIS</p> <p>#4 BARREL VINYL INSULATED RING TONGUE .450 (11.43) MAX. WIRE INSUL. DIAMETER</p>
03	1-95	MS		UPDATED NOTES AND DIMENSIONS	02941			
02	7-88	DW		REDRAWN WITH REVISIONS				
REV	DATE	BY	CHK	DESCRIPTION	ECN #	CUST	PM	DRAWN BY DAW
								Ck'D SCALE NONE
								DRAWING NO. A41217